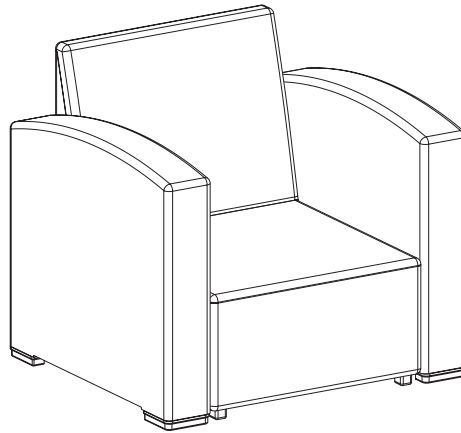


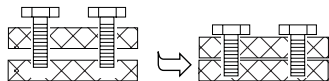
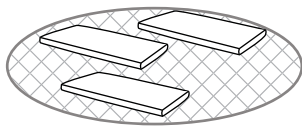
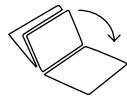
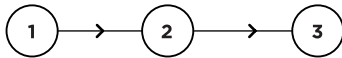
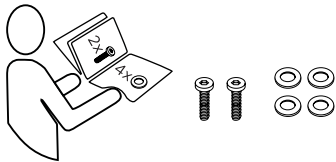
Miami Chair With Cushion

Chair Assembly Instructions

STK # 88624



Assembly Tips



Count

all pieces and hardware before assembling.

Review

the instructions from beginning to end before getting started.

Make Space

Keep plenty of clear space and use a clean rug or drop cloth if needed.

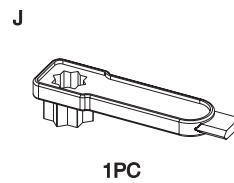
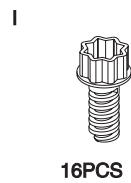
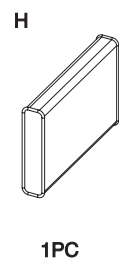
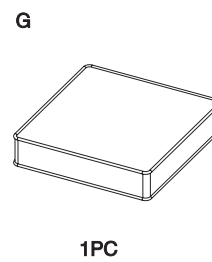
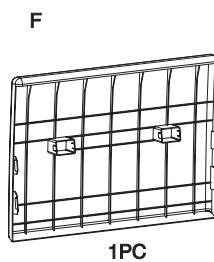
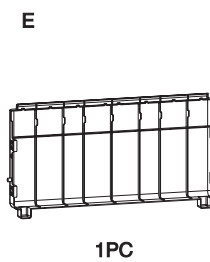
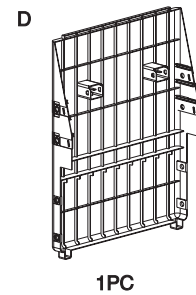
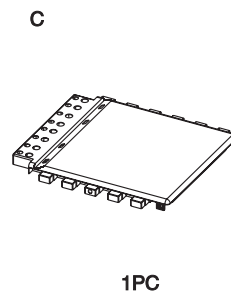
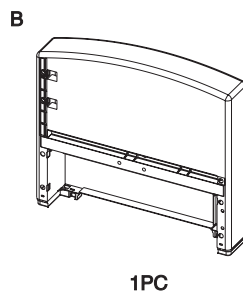
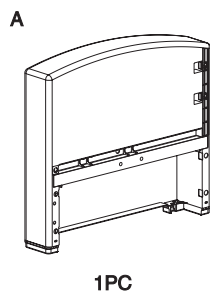
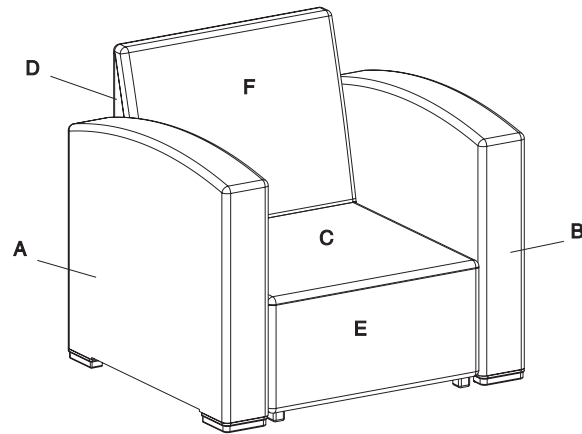
Double Check

that all pieces are in place before tightening screws. This ensures quick assembly . .

Miami Chair With Cushion

Chair Assembly Instructions

STK # 88624

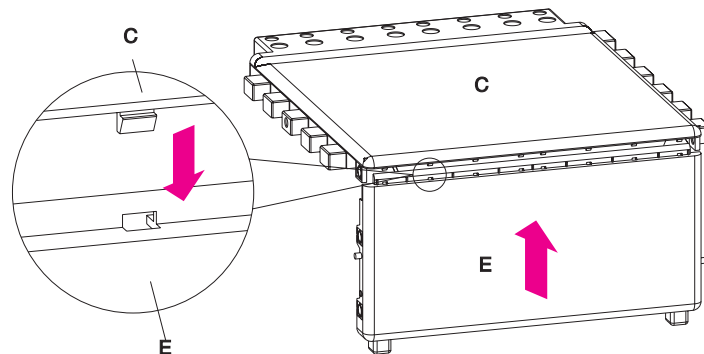


Miami Chair With Cushion

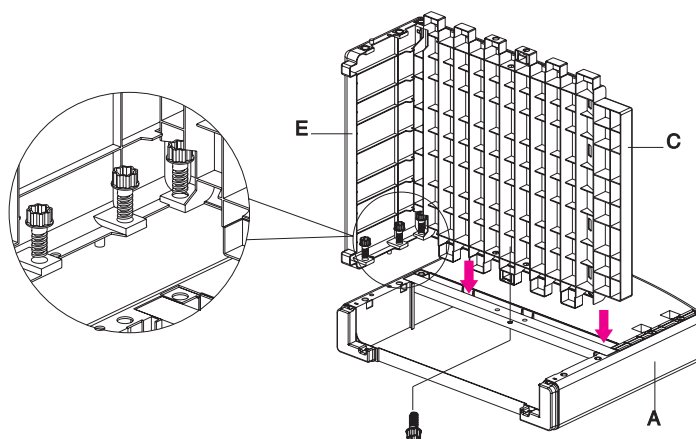
Chair Assembly Instructions

STK # 88624

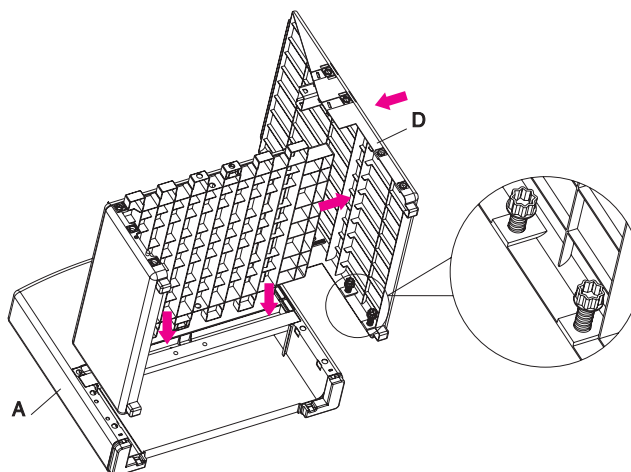
STEP 1



STEP 2



STEP 3



Miami Chair With Cushion

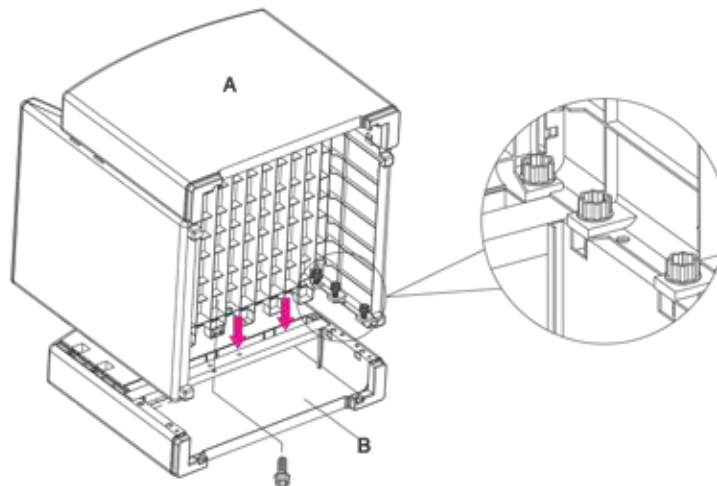
Chair Assembly Instructions

STK # 88624

STEP 4



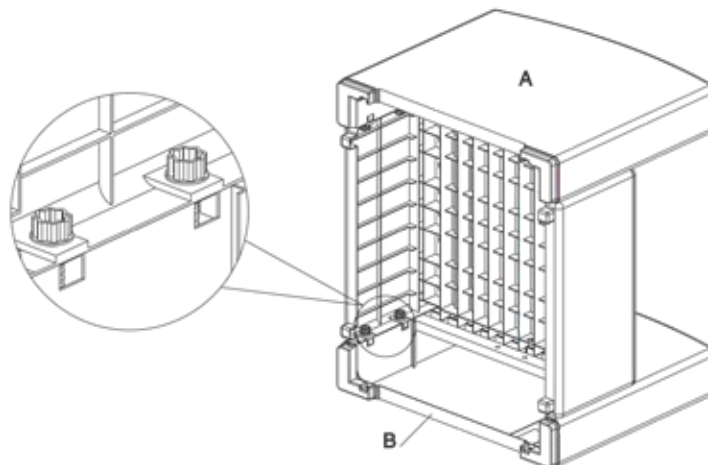
I=4PCS



STEP 5



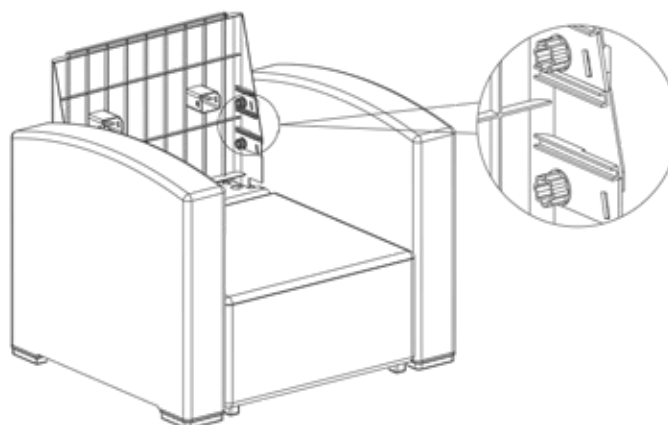
I=2PCS



STEP 6



I=4PCS

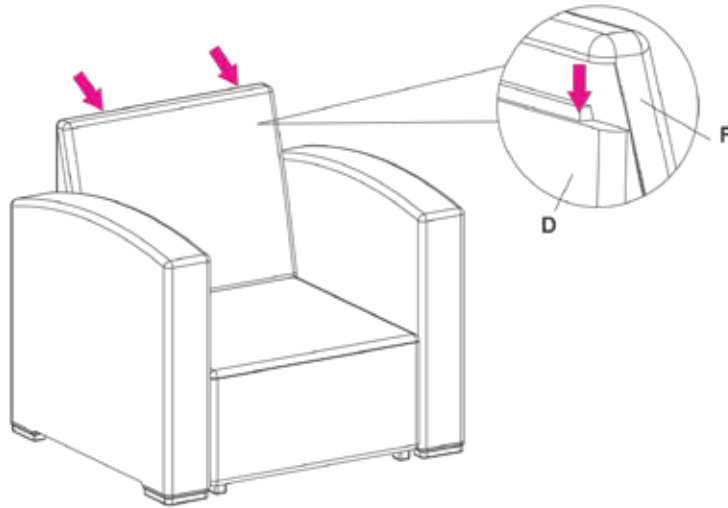


Miami Chair With Cushion

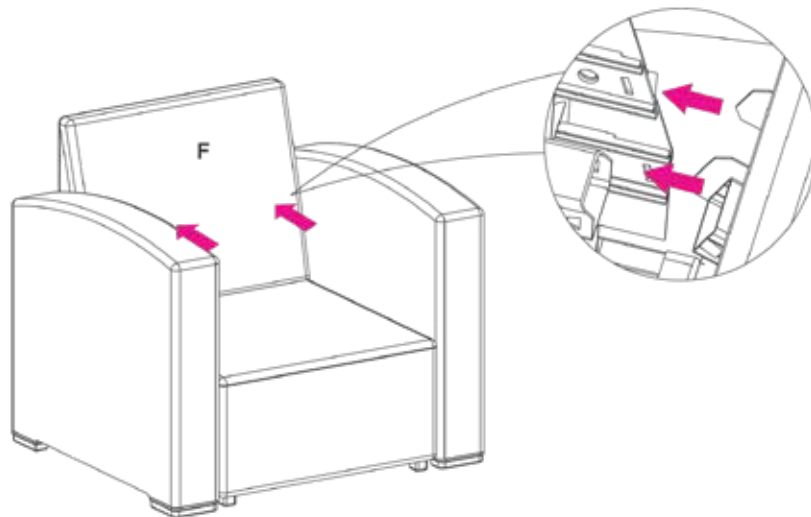
Chair Assembly Instructions

STK # 88624

STEP 7



STEP 8



STEP 9

