

KSP CHILLER COOLER CHEST ON WHEELS

INSTRUCTION MANUAL

STK#92627 | STK#92628 | STK#92629 | STK#98632

WARNING:

1. Please read all instructions before assembly and use.
2. Some parts may contain sharp edges. When assembling and using this product, basic safety precautions should always be followed to reduce the risk of personal injury.
3. Check and tighten bolts often to keep them secure.

PART LIST:

NO.	DESCRIPTION	QTY	IMAGE
A	Knob (Pre-assembled)	2	
B	Lid	1	
C	Bottle Opener	1	
D	Handle	1	
E	Body	1	
F	Cap Catcher	1	
G	Caster with Brake (Pre-assembled to leg)	2	
H	Caster without Brake (Pre-assembled to leg)	2	
I	Drain Plug (Pre-assembled)	1	
J	M6 X 10 Bolt	20	
K	M5 X 35 Bolt (Pre-assembled)	2	
L	Wrench	1	

INSTRUCTIONS:

Put all parts on a clean and level surface before assembling.

Step 1:

Put body (E) upside down. Connect legs (G) (H) and body (E) by using 3 bolts (J). Fully tighten by using wrench (L).

Step 2:

Attach cap catcher (F) to the body (E).

Step 3:

Connect bottle opener (C) and body (E) by using 2 bolts (J).

Step 4:

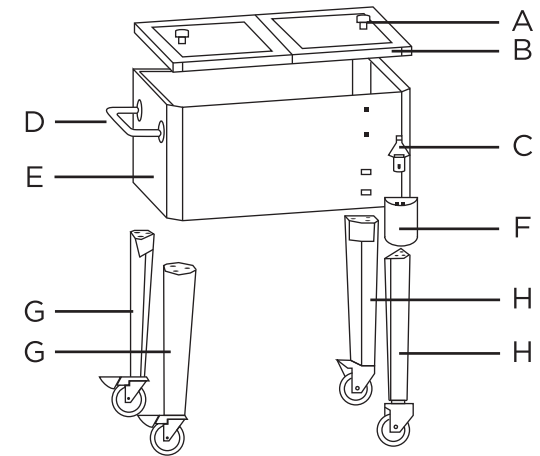
Use the bolts (J) to secure the handle (D) and body (E).

Step 5:

Remove the pre-assembled knob (A) at the back of lid (B). Then attach knob (A) to lid (B) by bolts (K).

Step 6:

Attach the lid (B) to the body (E), assembly completed.



MAINTENANCE:

1. Before using, clean the Cooler completely with a soft dry towel.
2. When not in use, wipe free of any dirt and wash with a mild solution of soap and water, rinse thoroughly and dry completely.
3. Do not use chemicals or abrasive cleaner to clean this product.
4. Store this Cooler in a cool, dry location when not in use.