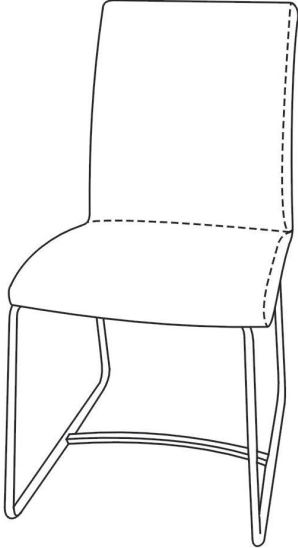


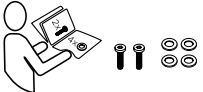
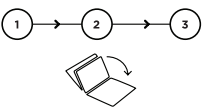
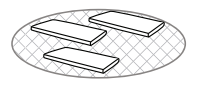
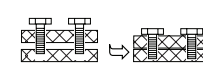
Delano Faux Leather Dining Chair

Assembly Instructions

STK# 94971



Assembly Tips

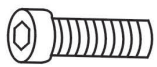

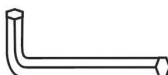
- 
- 
- 
- 

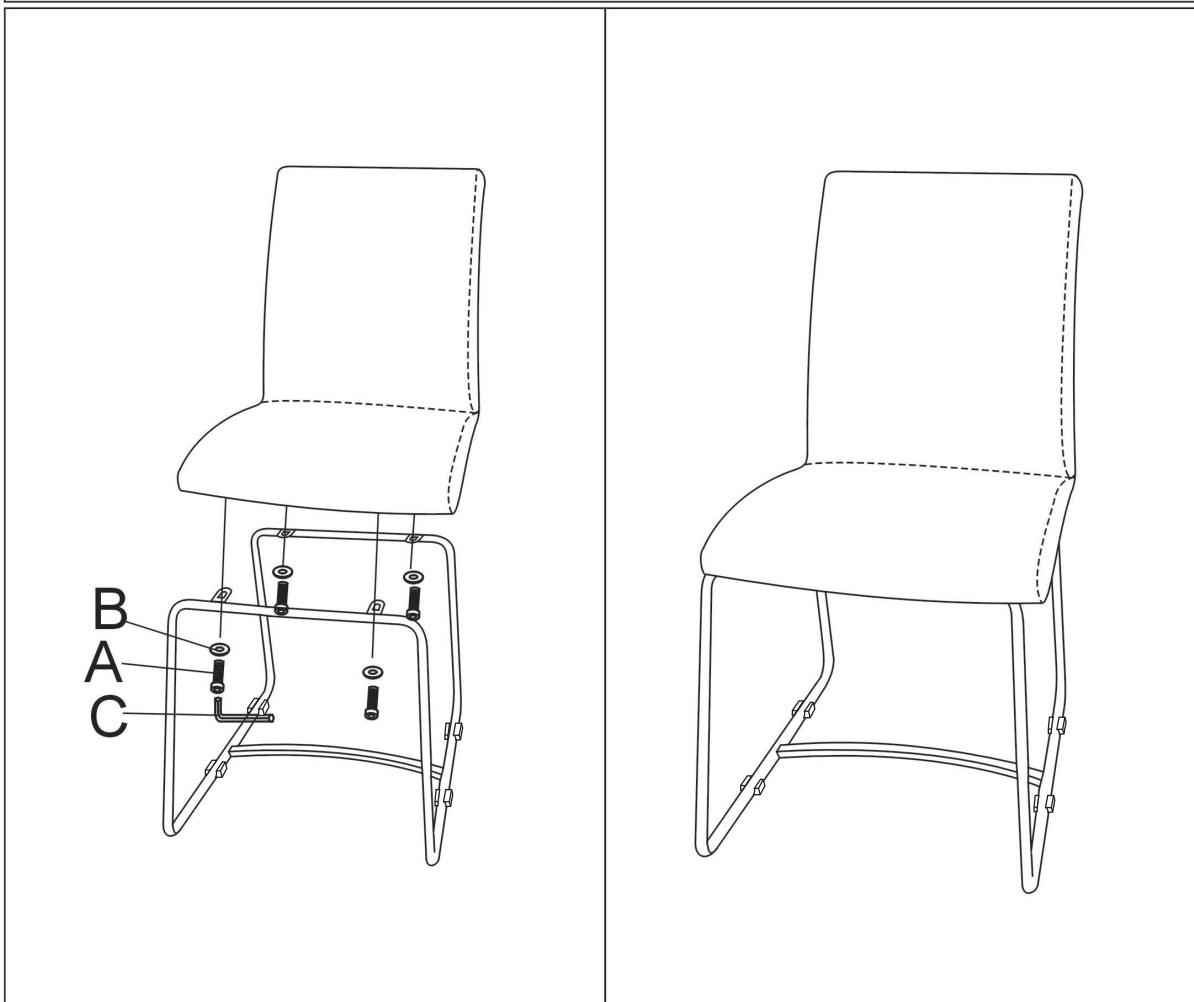
Count
all pieces and hardware before assembling.

Review
the instructions from beginning to end before getting started.

Make Space
Keep plenty of clear space and use a clean rug or drop cloth if needed.

Double Check
that all pieces are in place before tightening screws. This ensures quick assembly.

A	 x 4	B	 x 4	C	 x 1
----------	--	----------	--	----------	--



The diagram illustrates the assembly of the chair base. On the left, a back view shows the seat and backrest being attached to the metal frame. Labels B, A, and C indicate the positions where the hardware from the previous step is installed. Label B points to the top of the seat attachment, A points to the middle, and C points to the bottom. On the right, a front view shows the completed chair base with the seat and backrest attached.