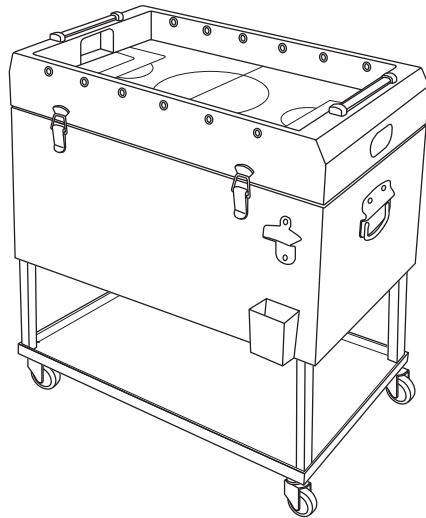


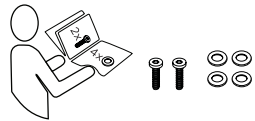
KSP CHILLER COOLER CHEST FOOSBALL INSTRUCTION MANUAL

STK#95603

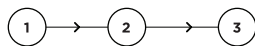


Assembly Tips

* Two adults required to assemble the product



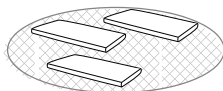
Count
all pieces and hardware
before assembling.



Review
the instructions from
beginning to end before
getting started.



Make Space
Keep plenty of clear
space and use a clean rug
or drop cloth if needed.



Double Check
that all pieces are in place before
tightening screws. This ensures
quick assembly.

WARNING:

1. Please read all instructions before assembly and use.
2. **Some parts may contain sharp edges.** When assembling and using this product, basic safety precautions should always be followed to reduce the risk of personal injury.
3. Check and tighten bolts often to keep them secure.

PART LIST:

NO.	DESCRIPTION	QTY	IMAGE
A	Player	18	
B	Screw	18	
C	Rod	6	
D	Football	2	
E	Lid	1	
F	Bottle Opener	1	
G	Body	1	
H	Bottle-cap Catcher	1	
I	Legs	4	
J	M6 x 16 Bolts	12	
K	Casters without Lock	2	
L	Bottom Tray	1	
M	Casters with Lock	2	
N	M6 Wrench	1	

INSTRUCTIONS:

Put all parts on a clean and level surface before assembling.

Step 1:

Place the body upside down, connect legs to body by bolts (J).

Step 2:

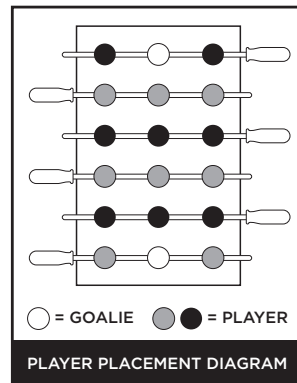
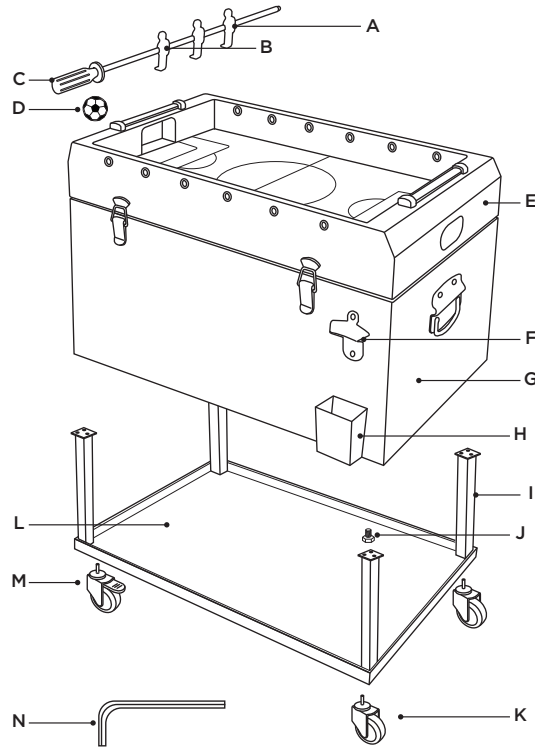
Place the tray on the legs and screw the casters to the legs through the tray, tighten them with the M6 wrench (N) but do not fully tighten the bolts until all casters have been installed. The casters with lock can be placed on the same side or diagonally from each other.

Step 3:

Turn the assembled piece upright. Attach bottle opener onto the body and tighten them by using two M6x16 bolts (J). Then install 2 pcs bolts(J), and attach bottle-cap catcher(H) on them.

Step 4:

Slide the appropriate quantity and colour player onto the player rod. Before assembling player rods, refer to the diagram(→) for correct rod orientation and player placement.



MAINTENANCE:

1. Before using, clean the Cooler completely with a soft dry towel.
2. When not in use, wipe free of any dirt and wash with a mild solution of soap and water, rinse thoroughly and dry completely.
3. Do not use chemicals or abrasive cleaner to clean this product.
4. Store this Cooler in a cool, dry location when not in use.