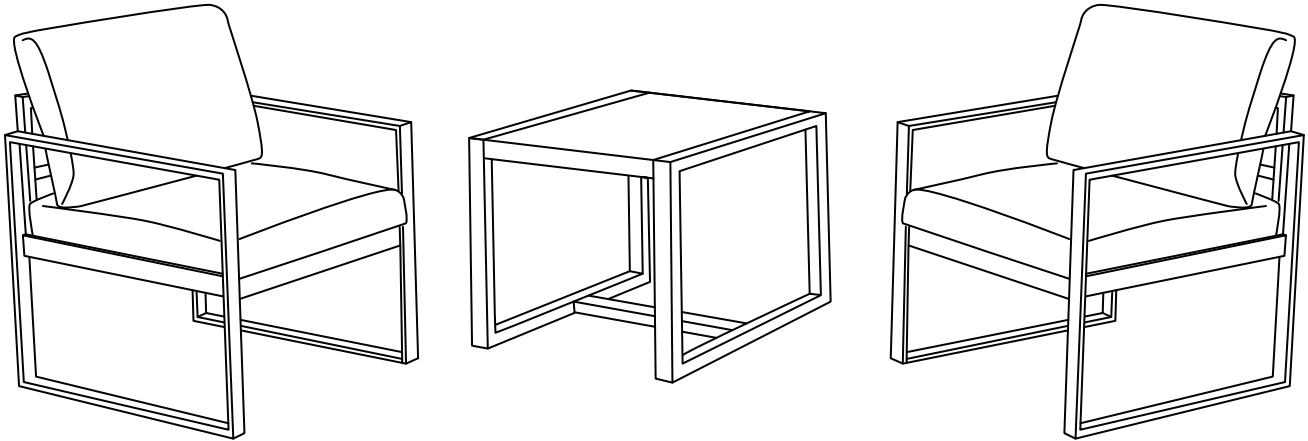


Ravello Outdoor Furniture

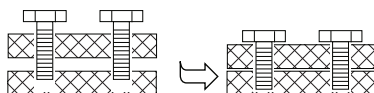
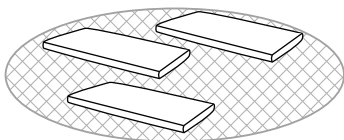
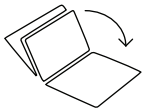
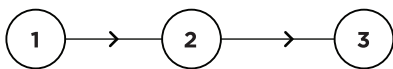
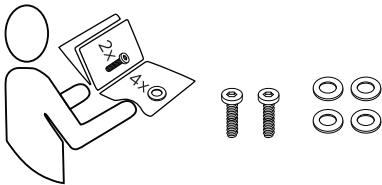
Assembly Instructions

STK #98624

SET OF 3



Assembly Tips



Count

all pieces and hardware before assembling.

Review

the instructions from beginning to end before getting started.

Make Space

Keep plenty of clear space and use a clean rug or drop cloth if needed.

Double Check

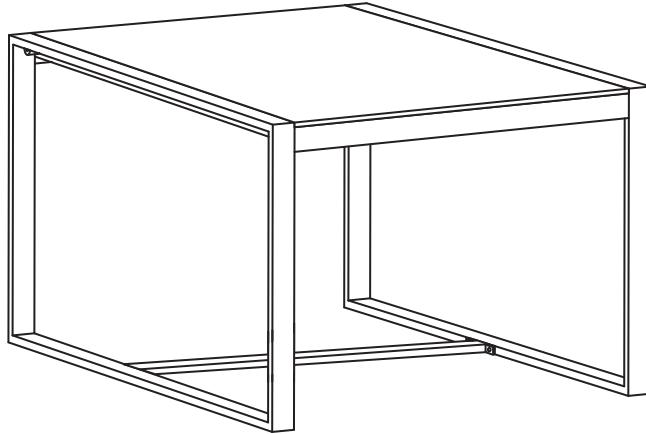
that all pieces are in place before tightening screws. This ensures quick assembly.

Ravello Outdoor Furniture

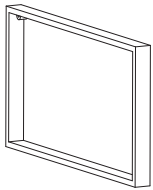
Assembly Instructions

STK #98624

COFFEE TABLE



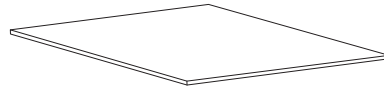
LIST



Ax2



Bx1



Cx1



Dx1



Ex4



Fx4



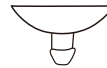
Gx8



Ix8



Jx1



Kx8

CARE AND CLEANING:

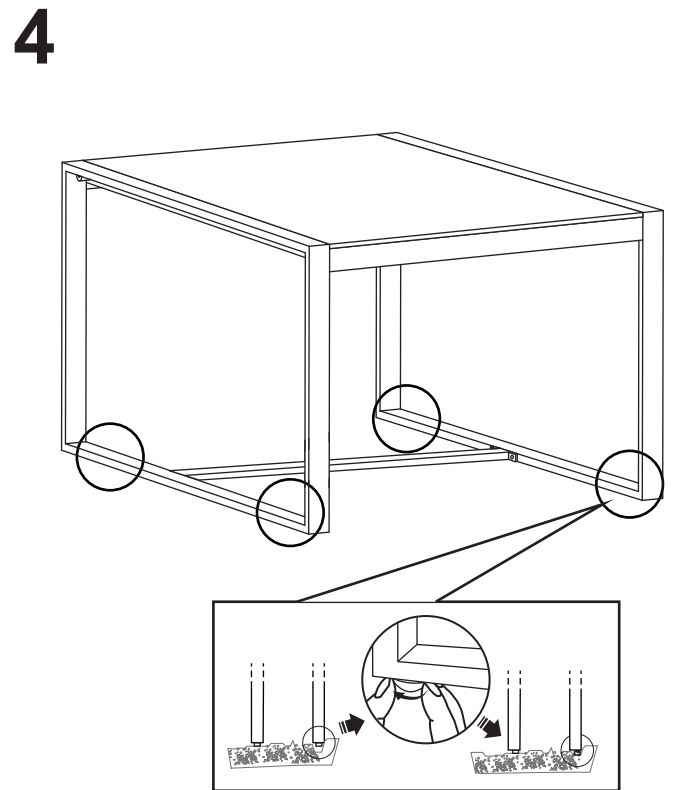
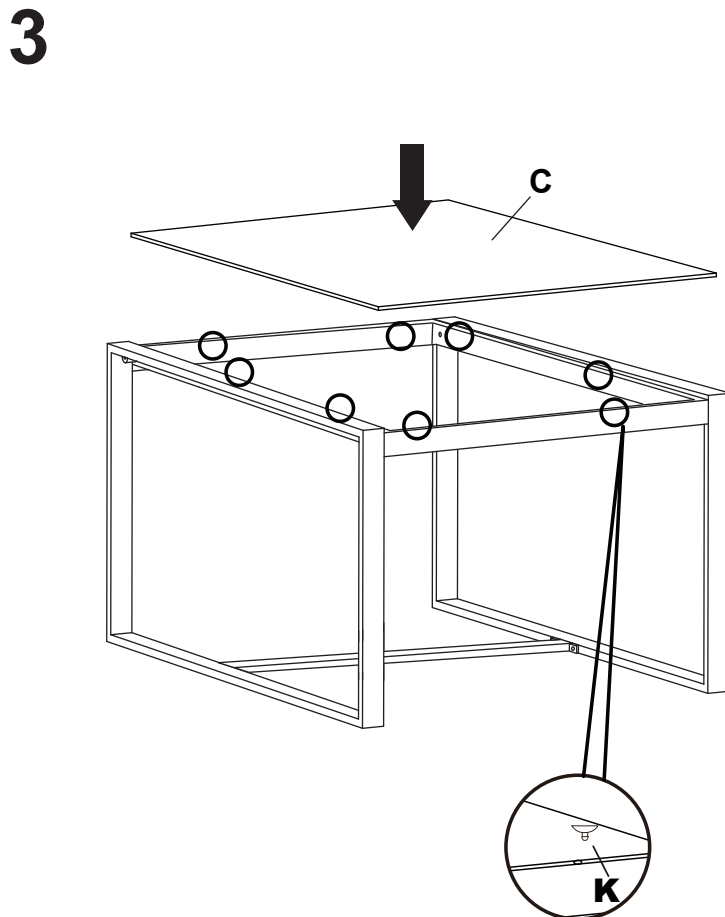
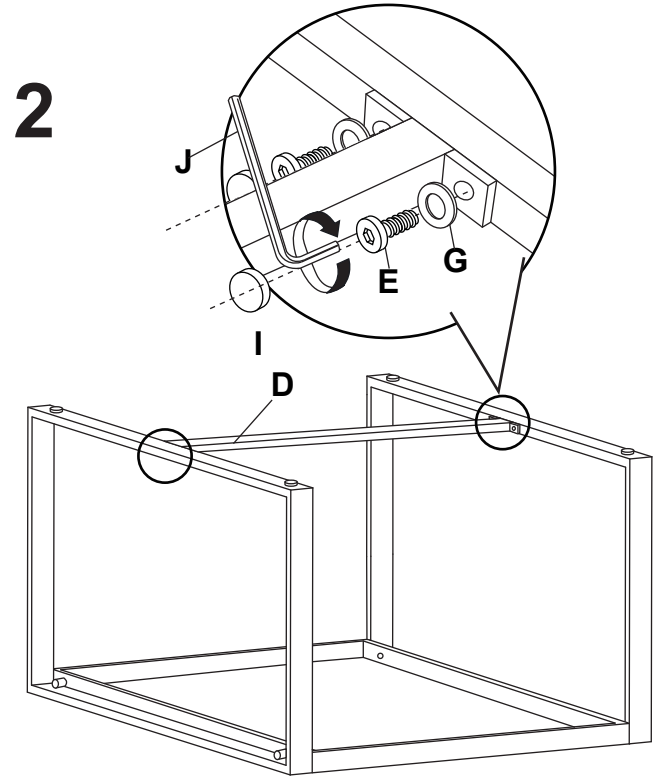
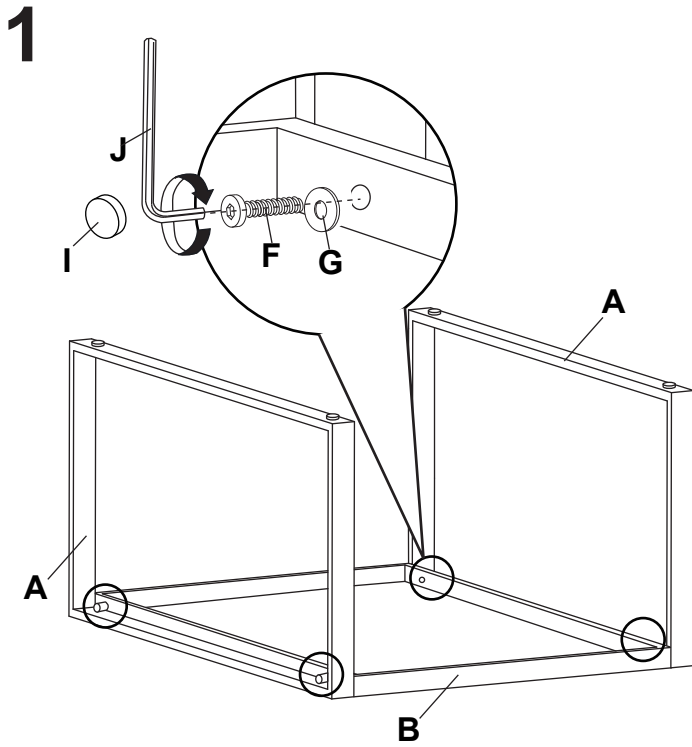
1. TO CLEAN,WIPE WITH DAMP CLOTH.DO NOT USE BLEACH,ACID SOLVENTS OR ABRASIVE CLEANERS OR FRAME PARTS.
2. DURING VARYING WEATHER CONDITIONS AND WINTER PERIOD,WE STRONGLY RECOMMEND THAT IT CAN BE STORED IN A DRY AREA WITH A SUITABLE COVER BEFORE STORAGE,PLS INSURE IT IS CLEAN AND DRY.
3. IN THE EVENT OF BARE METAL SHOWING DUE TO SCRATCH,IT IS PREFERRED TO TREAT WITH A RUST REPELLING VARNISH OR SIMILAR.
4. PERIODICALLY CHECK AND ENSURE THAT ALL THE SCREWS ARE COMPLETELY TIGHTEN.
5. A MATCHING FURNITURE COVER IS STRONGLY RECOMMENDED TO EXTEND THE USAGE LIFE-SPAN.

Ravello Outdoor Furniture

Assembly Instructions

STK #98624

ASSEMBLY INSTRUCTIONS

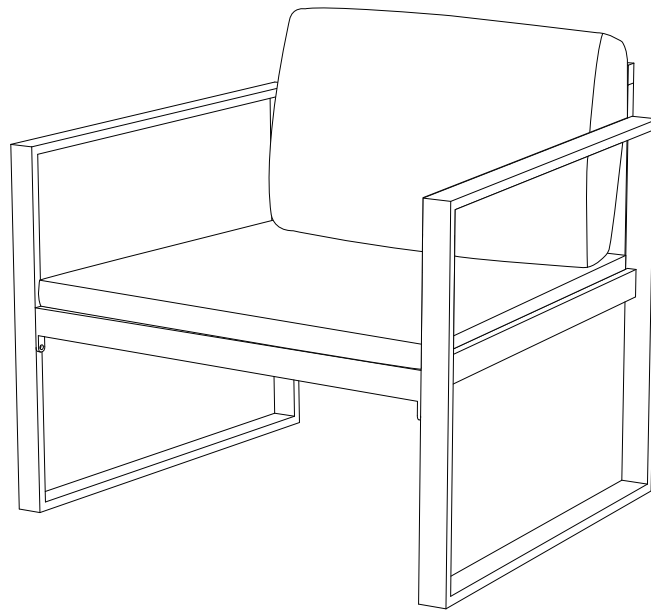


Ravello Outdoor Furniture

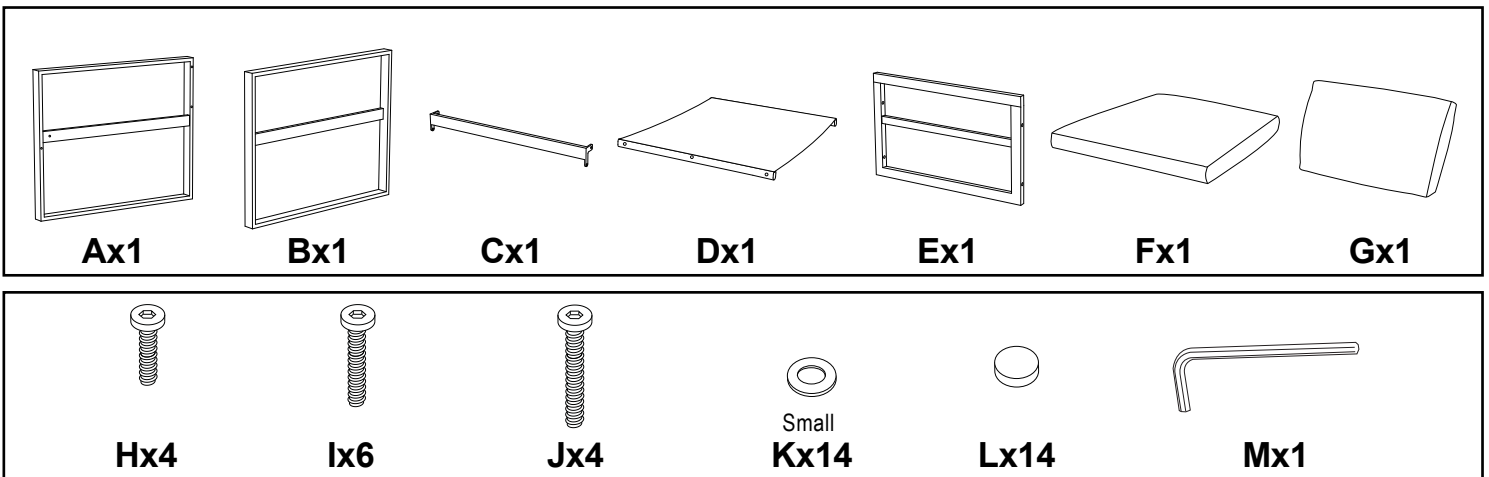
Assembly Instructions

STK #98624

SINGLE SOFA



LIST



CARE AND CLEANING:

1. TO CLEAN, WIPE WITH DAMP CLOTH. DO NOT USE BLEACH, ACID SOLVENTS OR ABRASIVE CLEANERS OR FRAME PARTS.
2. DURING VARYING WEATHER CONDITIONS AND WINTER PERIOD, WE STRONGLY RECOMMEND THAT IT CAN BE STORED IN A DRY AREA WITH A SUITABLE COVER BEFORE STORAGE, PLS INSURE IT IS CLEAN AND DRY.
3. IN THE EVENT OF BARE METAL SHOWING DUE TO SCRATCH, IT IS PREFERRED TO TREAT WITH A RUST REPELLING VARNISH OR SIMILAR.
4. PERIODICALLY CHECK AND ENSURE THAT ALL THE SCREWS ARE COMPLETELY TIGHTEN.
5. A MATCHING FURNITURE COVER IS STRONGLY RECOMMENDED TO EXTEND THE USAGE LIFE-SPAN.

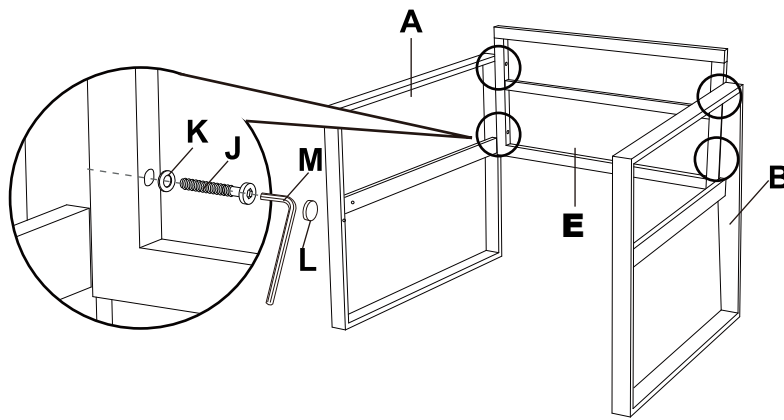
Ravello Outdoor Furniture

Assembly Instructions

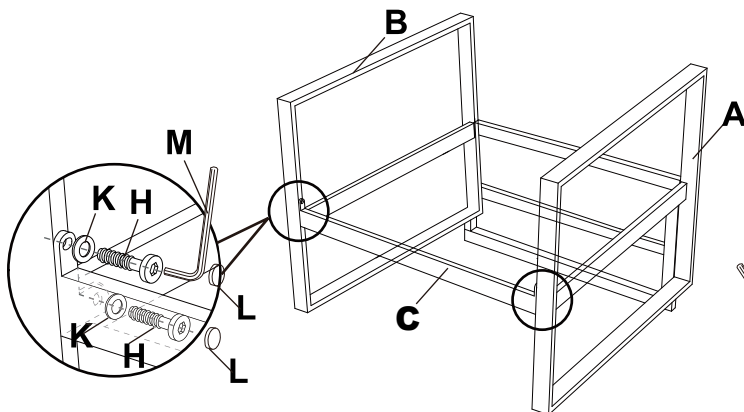
STK #98624

ASSEMBLY INSTRUCTIONS

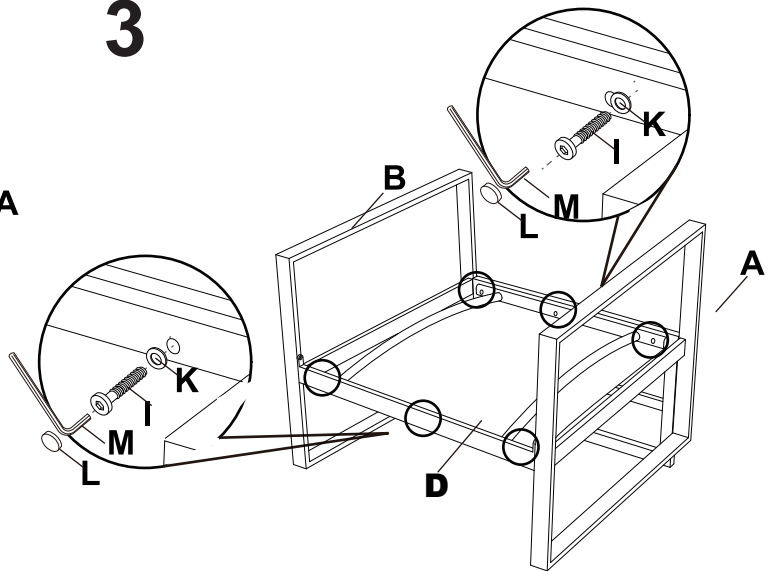
1



2



3



4

