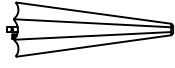
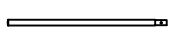
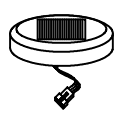


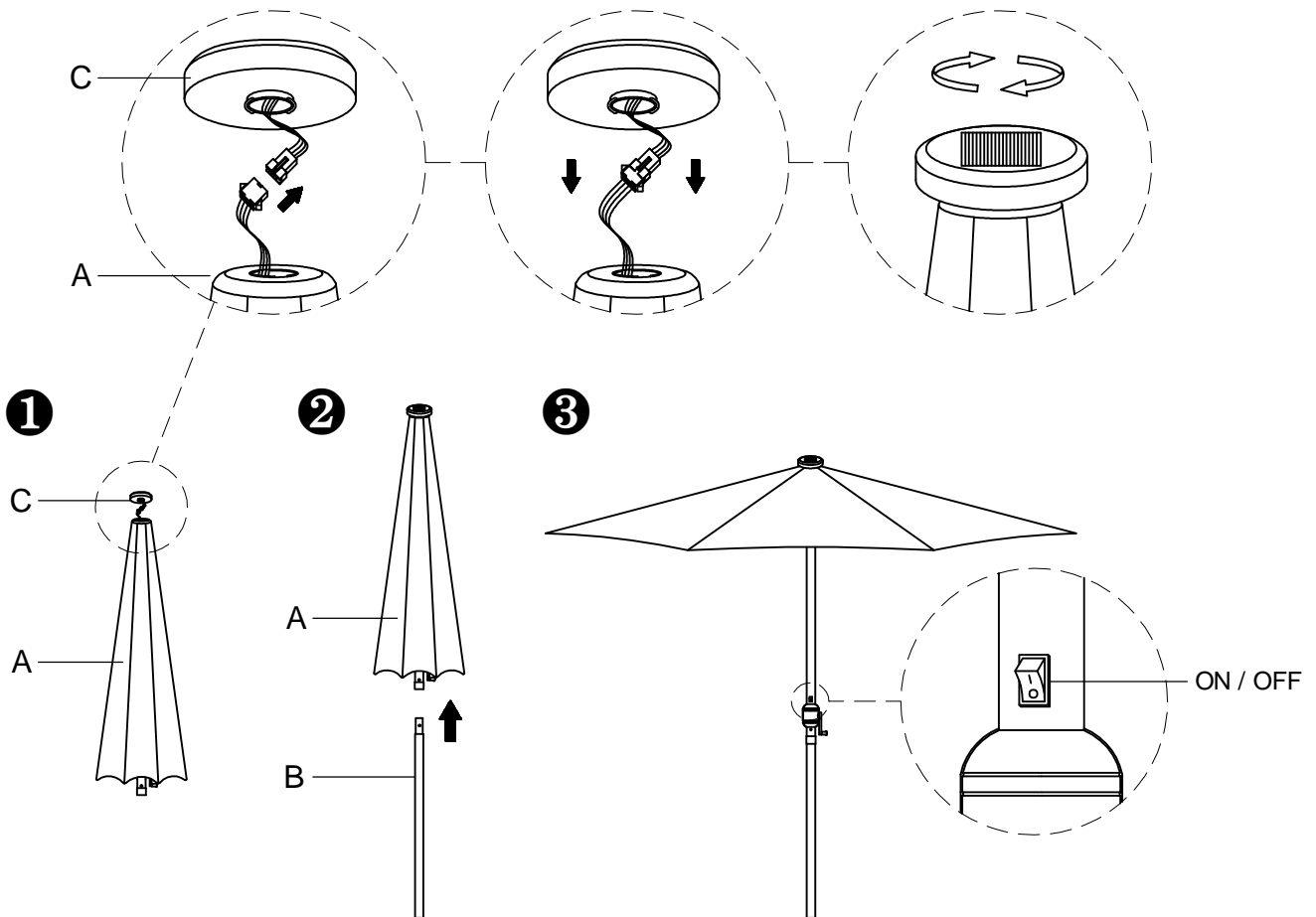
# ASSEMBLY INSTRUCTIONS

LIST		
A		1
B		1
C		1

## CAUTION:

This Unit is made for the explicit purpose of providing sun shading only. This product is not intended for inclement /severe weather in any form, including but not limited to: rain, hail, sleet, snow and/or wind. The manufacturer recommends that with formidable weather approaching you disassemble and store this unit in a safe location. Do not locate this unit near any open flame. Do not use any portion of this unit as a support. Do not shake, lean or climb on it. A competent adult should supervise children under the age of 10 at all times whenever near the patio set. This product is NOT intended for commercial use and will void the warranty.

DO NOT LEAVE IT OPEN IN THE WIND.



## CARE INSTRUCTIONS

For best results, clean frame with damp cloth and dry thoroughly. This will help prevent mildew by removing dirt particles that may accumulate. Do not use abrasive materials or cleaners. In order to prolong the life of your umbrella when not in use or during inclement weather (rain, hail, sleet, snow, wind), fire, extreme heat and freezing conditions, the umbrella needs to be stored in a dry, sheltered place. In addition, your umbrella needs to be stored when not in use.

Pls put umbrella in the sun for 8 hours to charge the solar power pack before used. Do not put heavy things to press the Solar Energy Receiver.

Important ! Please read all instructions and disclaimers before assembling this umbrella.