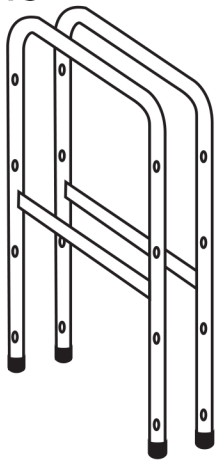


ASSEMBLY INSTRUCTIONS

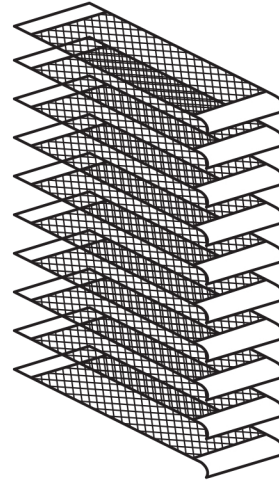
PARTS



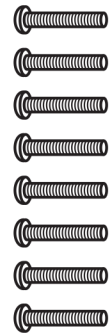
SIDE SUPPORT x 2 (A)



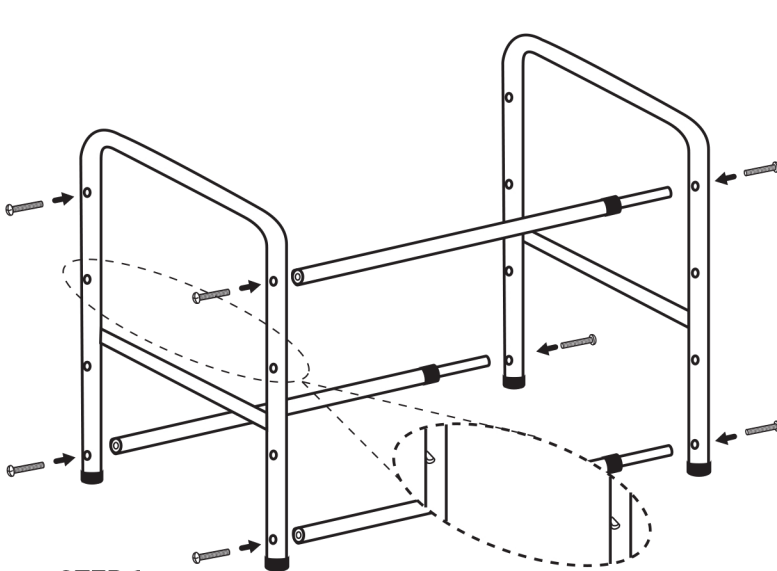
CROSS BARS x 4 (B)



MESH PANELS x 10 (C)

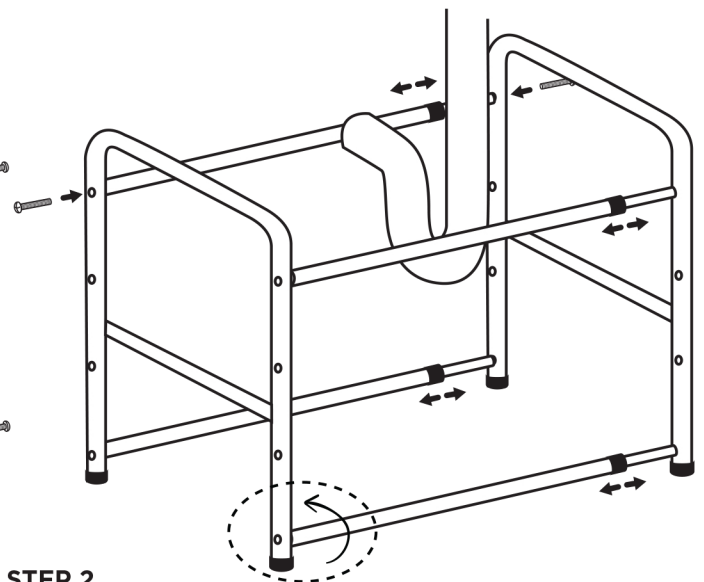


SCREWS x 8 (D)



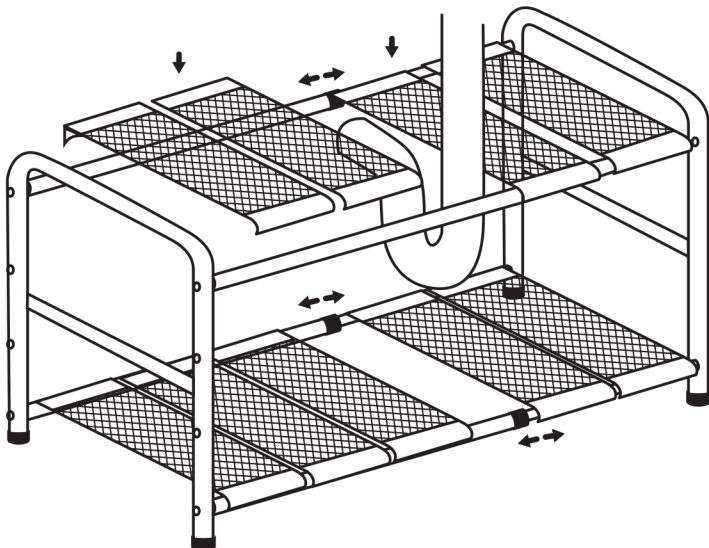
STEP 1

Determine the desired shelf heights and fasten three (3) cross bars (B) to U-shaped side supports (A), lining up end of poles to holes and tightening screws (D)



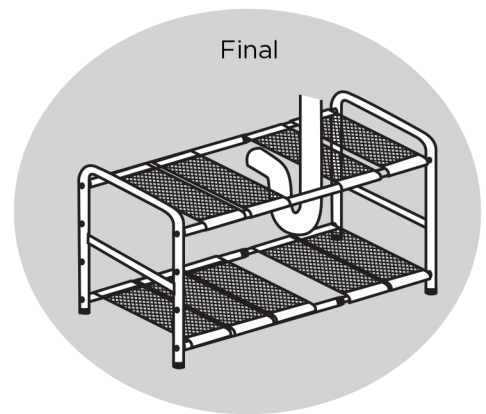
STEP 2

Place shelf under sink, making sure that the empty cross bar slot is nearest to the cupboard opening. Attach remaining cross bar then expand unit to desired length.



STEP 3

Snap mesh shelf panels to the cross bars, leaving a gap for your sink drainpipe. Adjust to fit.



Final



WARNING:
CHOKING HAZARD - Small parts.
not for children under 3- years-old.