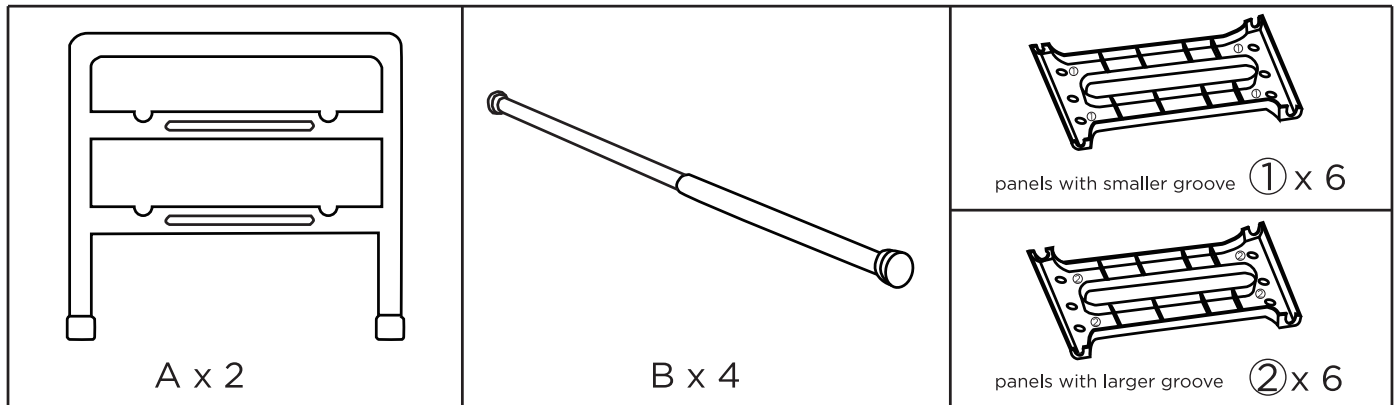


# SPACE LOGIC EXPANDABLE UNDER SINK SHELF ASSEMBLY MANUAL

STK#92954

## PART LISTS



## ASSEMBLY INSTRUCTION

