

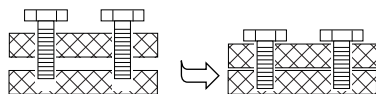
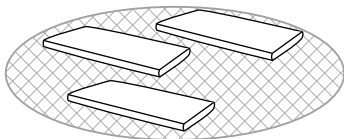
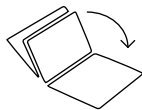
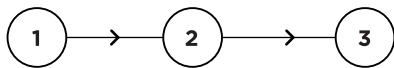
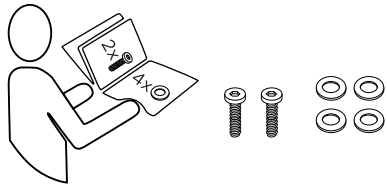
KSP Dax Faux Leather Barstool

Assembly Instructions

STK #99399, #99503



Assembly Tips



Count

all pieces and hardware before assembling.

Review

the instructions from beginning to end before getting started.

Make Space

Keep plenty of clear space and use a clean rug or drop cloth if needed.

Double Check

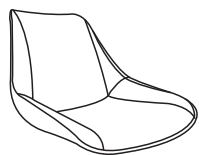
that all pieces are in place before tightening screws. This ensures quick assembly.

KSP Dax Faux Leather Barstool

Assembly Instructions

STK #99399, #99503

Parts List



SEAT **X1**



BASE **X1**



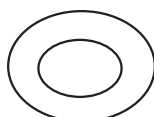
FOOT REST **X1**



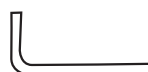
SCREW **X4**



HYDRAULIC LIFT **X1**



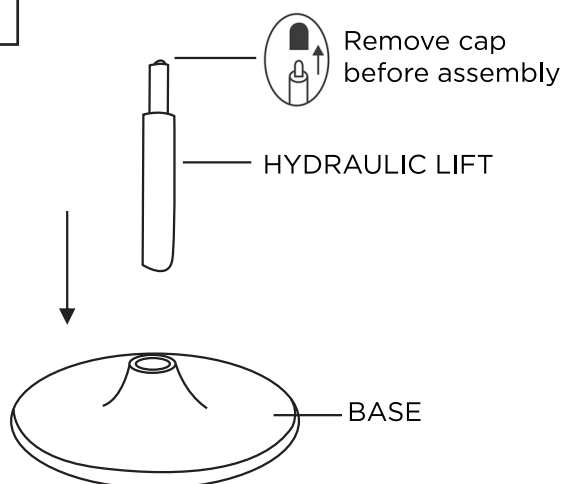
SPACER **X4**



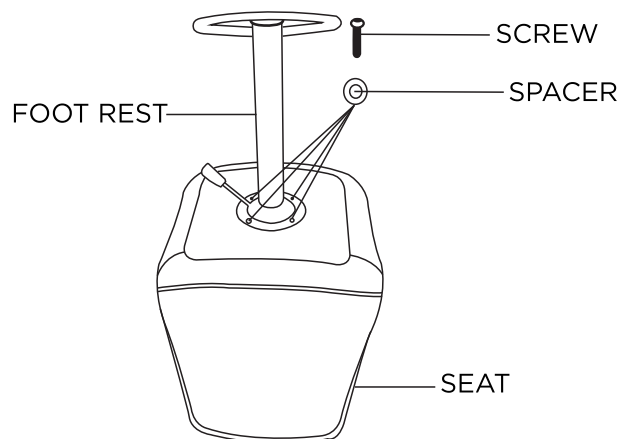
ALLEN KEY **X1**

Assembly

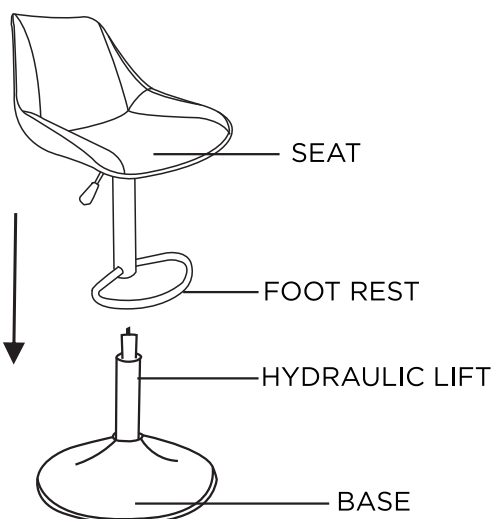
STEP 1



STEP 2



STEP 3



STEP 4

