

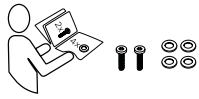
4 Drawer Rollstor Fabric Storage Cart

Assembly Instructions

STK # 91636 / #95001

Assembly Tips

* Two adults required to assemble the product



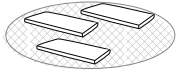
Count

all pieces and hardware before assembling.



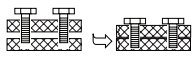
Review

the instructions from beginning to end before getting started.









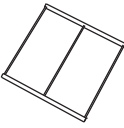
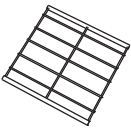


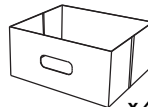


Make Space

Keep plenty of clear space and use a clean rug or drop cloth if needed.



Double Check

that all pieces are in place before tightening screws. This ensures quick assembly.

1	2	3	4
 x 20	 x 20	 x 2	 x 2
A	B	C	D
 x 1	 x 1	 x 4	 x 1
E	F	G	H
 x 2	 x 2	 x 4	 x 4
			I
			 x 1

